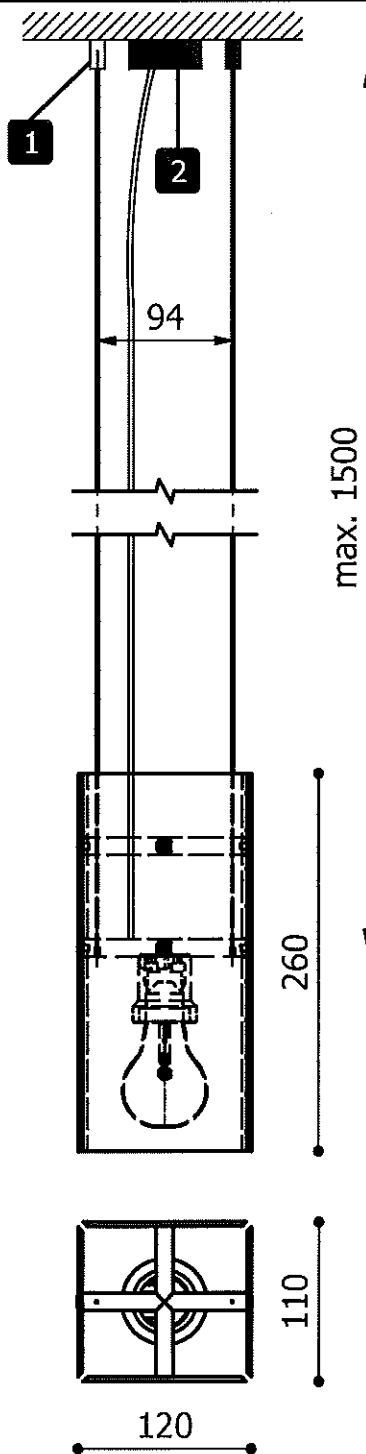
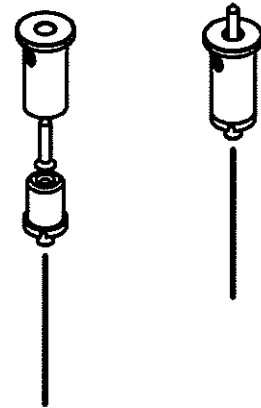


# Assembly doctor BRIDGE ONE

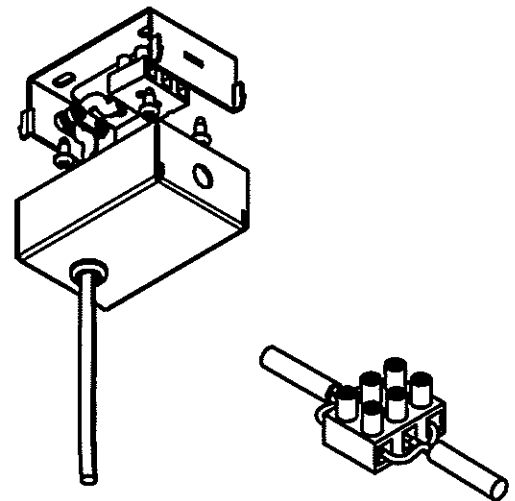
Design by Georges Seris for DARK



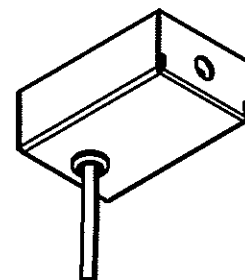
1



2




3



 1x / Max 60W / E27

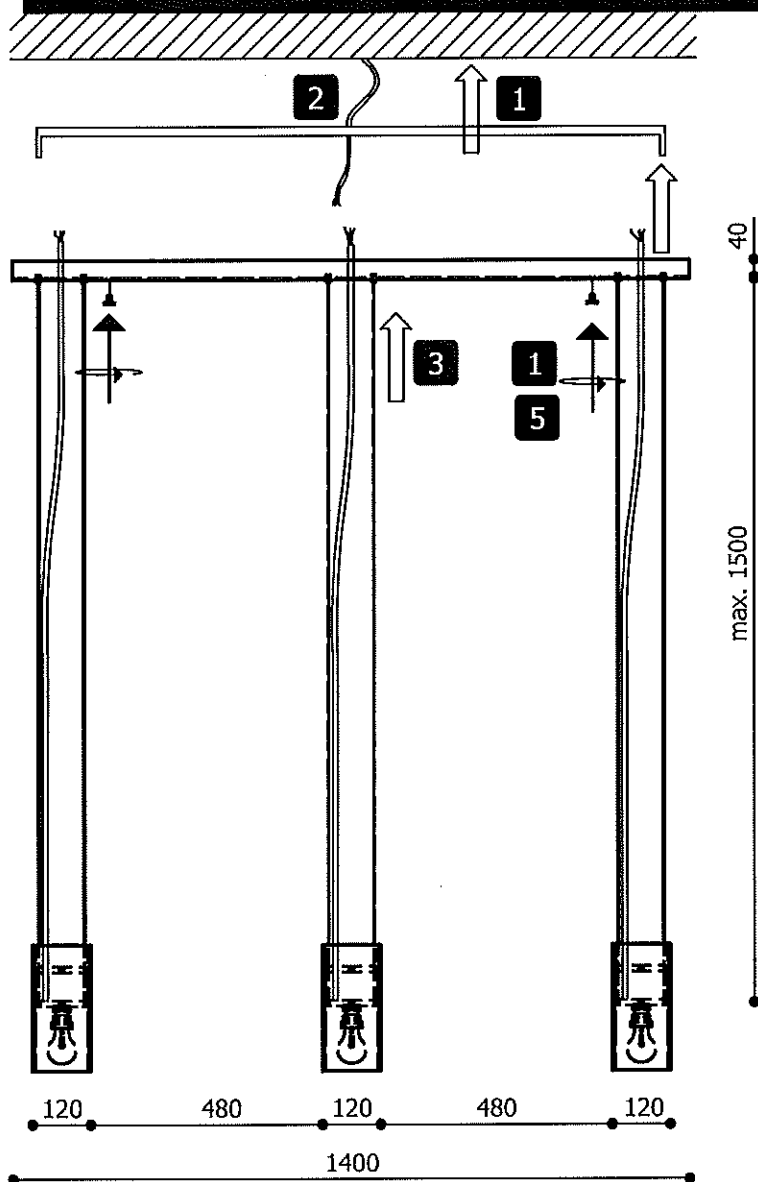
OR

 1x / Max 13W / E27

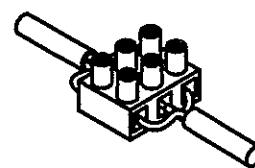


# Assembly doctor BRIDGE ONE 3P

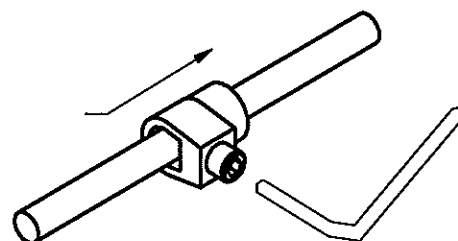
Design by Georges Seris for DARK



- 1** Unscrew the two decorative screws. Mount the ceiling bracket to the ceiling.
- 2** Connect the mains to the connector.



- 3** Pull the suspensions from the Bridges through the grippers and adjust to the preferred height.
- 4** Fasten the pull reliefs on the power cables and connect to the connectors.



- 5** Fasten the cover plate with the Bridges to the ceiling plate using the 2 decorative screws.

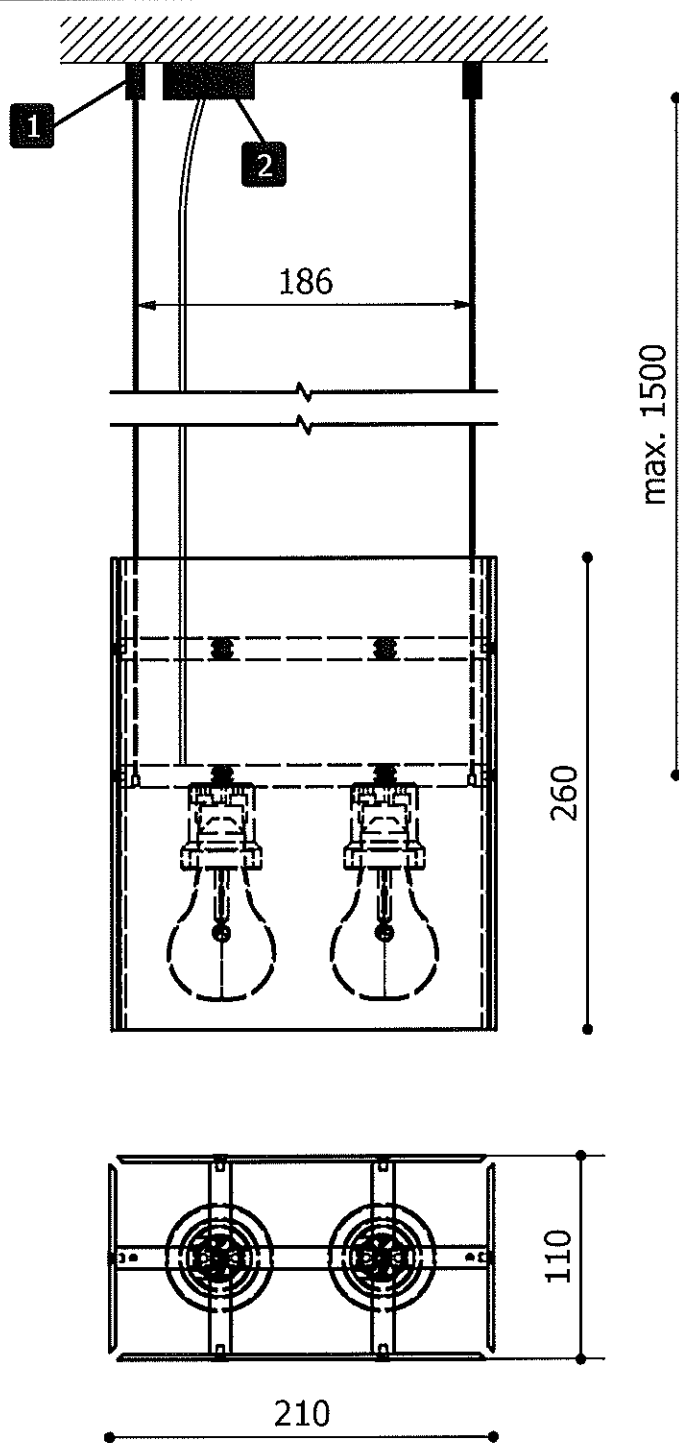


3X		max 60 Watt	E27
OR		max 13 Watt	E27
3X			

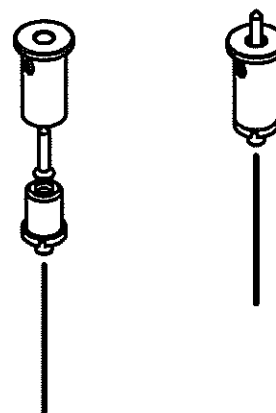
				960°C	IP 20		
		230 V					

# Assembly doctor BRIDGE TWO

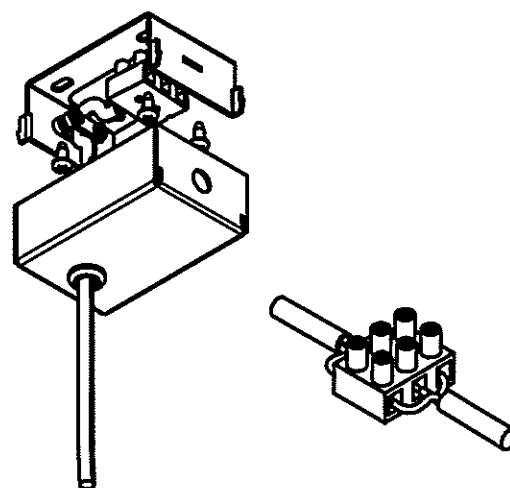
Design by Georges Seris for DARK



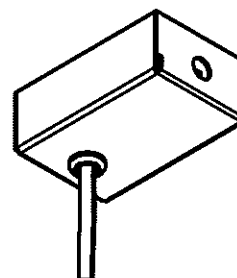
**1** Mount the gripper to the ceiling with a screw and adjust the cable to the preferred height.

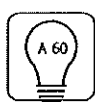


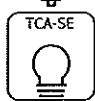
**2** Mount the bracket onto the ceiling with two screws. Connect the power supply.



**3** Close the ceiling cap by pushing.



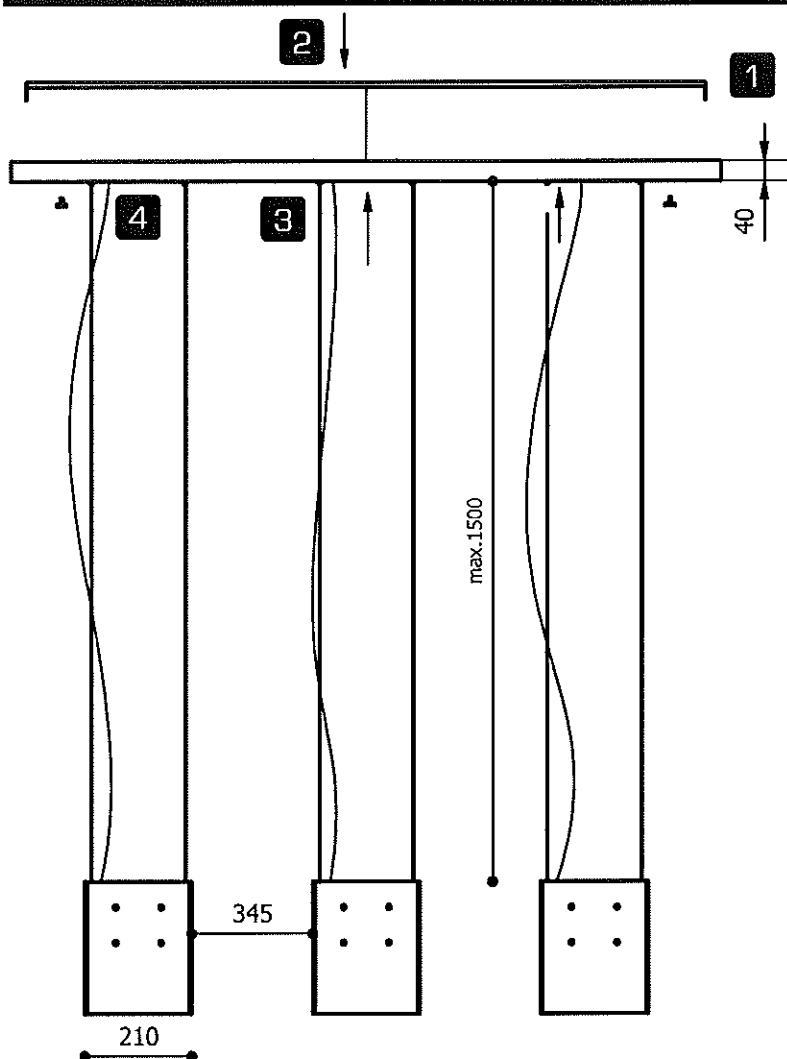
 2x / Max 60W / E27  
OR

 2x / Max 13W / E27

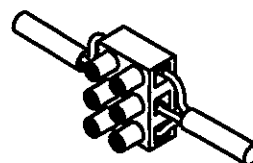


# Assembly doctor Bridge Two 3P

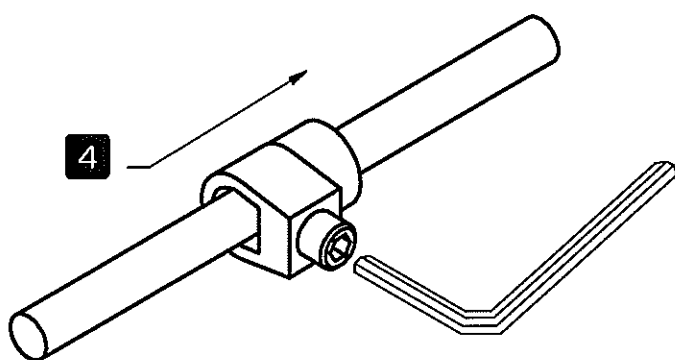
Design by Georges Seris for DARK







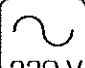

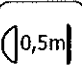
- 1 Unscrew the two decorative screws. Mount the ceiling bracket to the ceiling.
- 2 Connect the mains to the connector blocks.



- 3 Pull the suspension cables from the Bridges through the grippers and adjust to the preferred height.
- 4 Fasten the pull reliefs on the power cables and connect to the connector.
- 5 Fasten the cover plate with the Bridges to the ceiling plate using the 2 decorative screws.

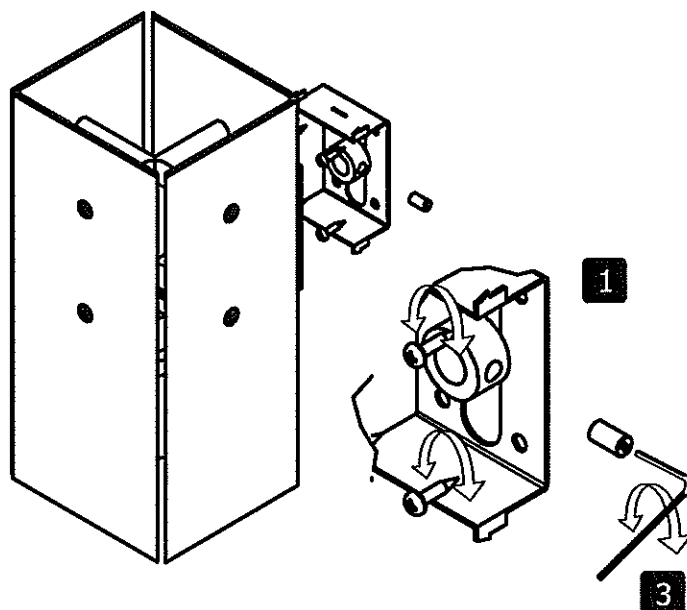
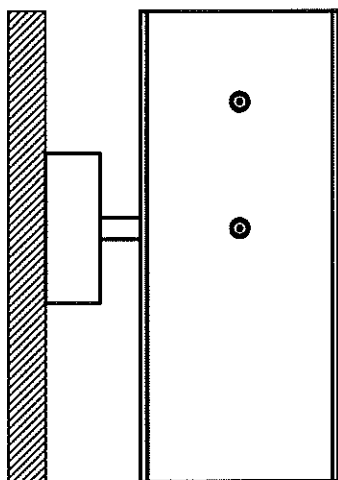


**DARK**® <<<  
www.dark.be

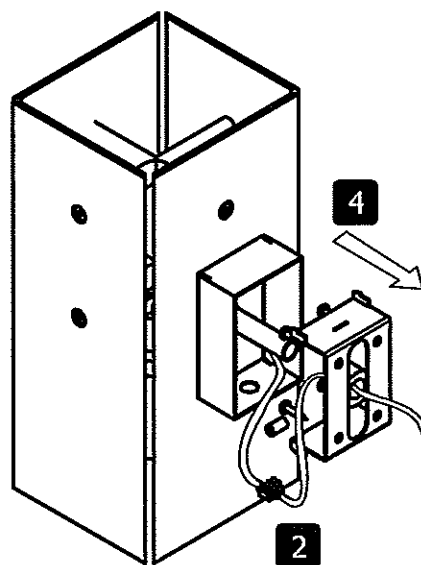
6x	 0A 60	max 60 Watt	E27
	 TCA-SE	max 13 Watt	E27
	IP20	960°C	 
	 230 V		CE  (0,5m)

# Assembly doctor BRIDGE WALL

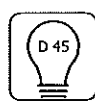
Design by Georges Seris for DARK



- 1** Mount the wall bracket with four screws.
- 2** Connect the power supply with the fixture.
- 3** Push the rod into the ring and tighten the screw.
- 4** Push the housing over the wall bracket.



**DARK** <<<  
www.dark.be



1x / Max 60W / E27

OR



1x / Max 13W / E27

