

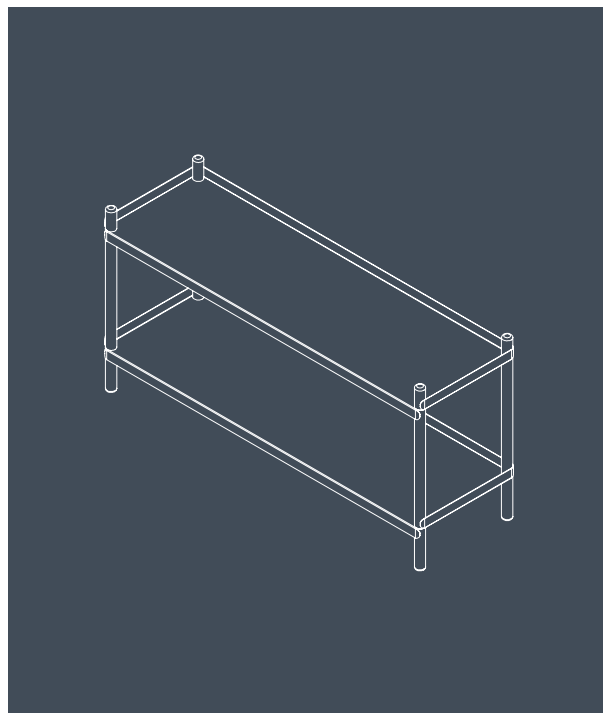
Bolt Shelving - 1000 x 2 Shelves

Lennart Ebert

Bolt by Lennart Ebert for **Nine** is a range of shelving units with a simple and utilitarian aesthetic. They are constructed from two simple elements – folded sheet steel shelves and oak uprights.

The shelves wrap around the upright to give the unit strength and stability, and the screw and thread embedded into the uprights allow simple, tool-free assembly.

Bolt is available in four sizes, ranging from low shelves for the hallway or televisions, to larger units that are suitable as sideboards or bookshelves.



Model Number - 199026 / 199027 / 199028

Product Category

Shelving

Environment

Indoor

Dimensions

H530mm x W1000mm x D300mm

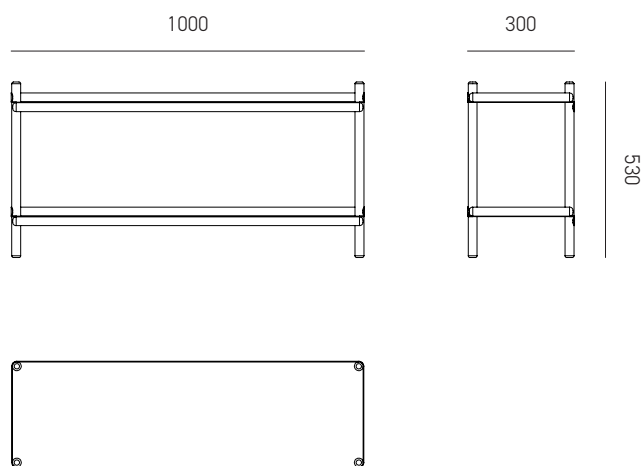
Packaging Dimensions

H225mm x W1095mm x D395mm

Weight

Product - 9.8kg

Packaging - 15.0kg



nine

Bolt Shelving - 1000 x 2 Shelves

Lennart Ebert

Materials

Oak and Steel

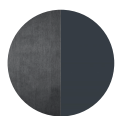
Finishes



Natural Oak
White
RAL 9003



Natural Oak
Grey
RAL 7047

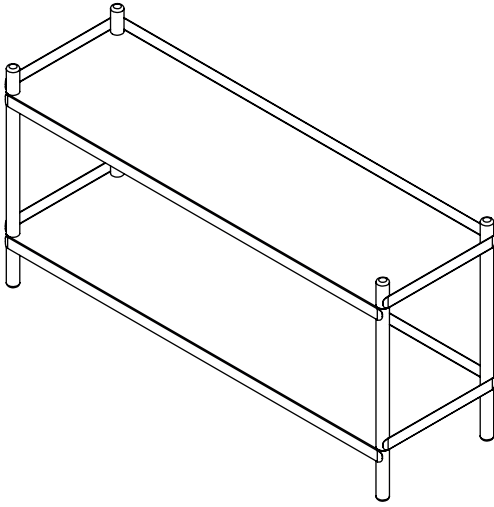


Stained Oak
Anthracite
RAL 7016

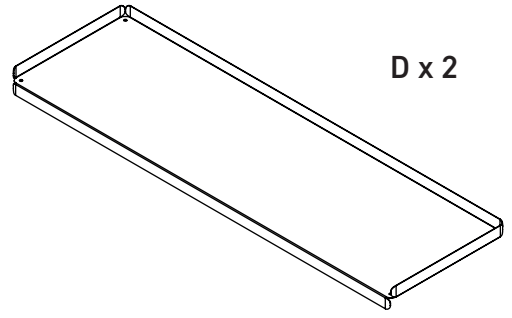
Sustainability

Nine makes products that are designed to use and enjoy for many years. Wherever we can, we use recycled and recyclable materials, eliminate new and single use plastics and reduce shipping volume.

Bolt Shelving - 1000 x 2 Shelves



nine

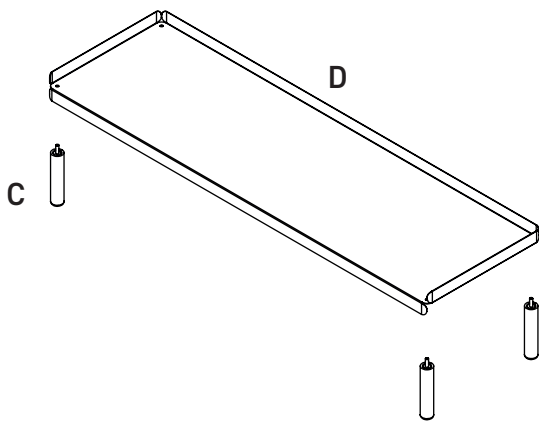


A x 4

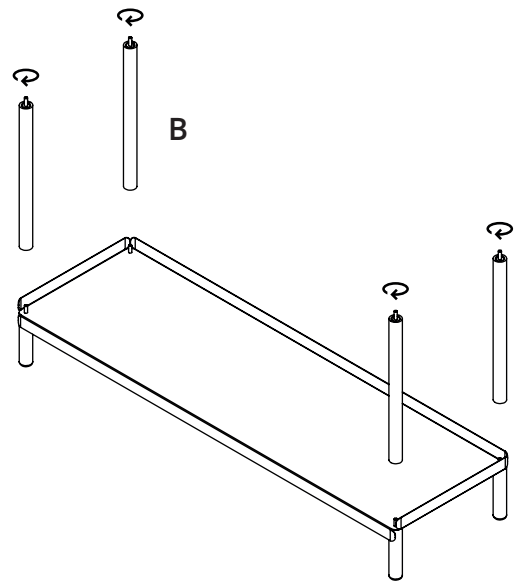
B x 4

C x 4

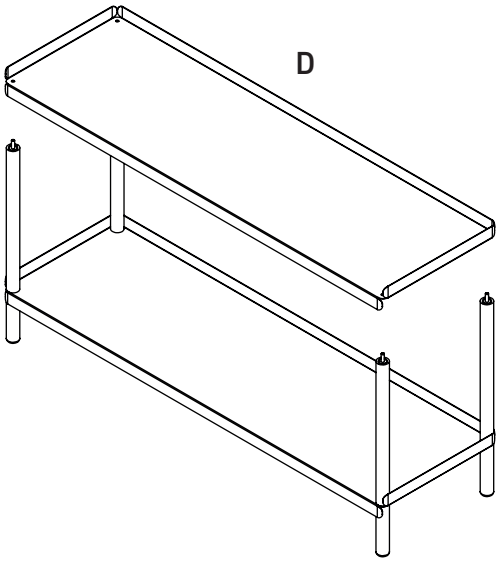
1.



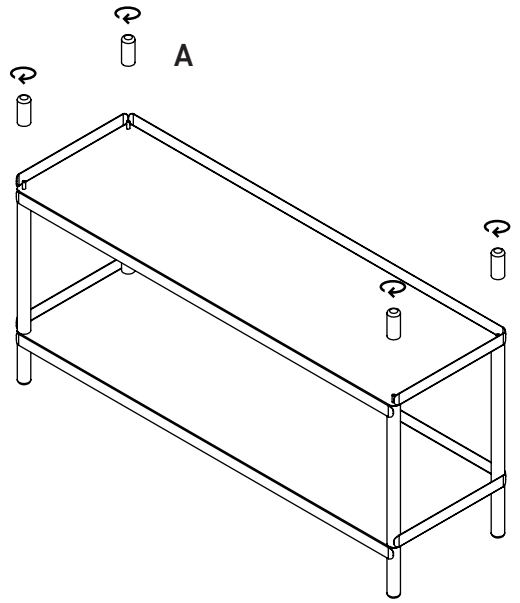
2.



3.



4.



5.

