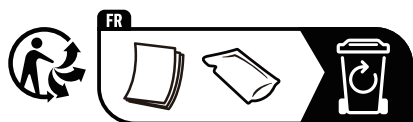


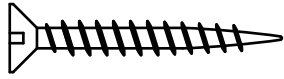
PRODUCT INFORMATION

Augusta Sofa

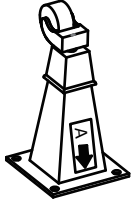
82064255



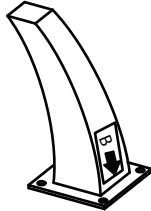
COMPONENT LIST



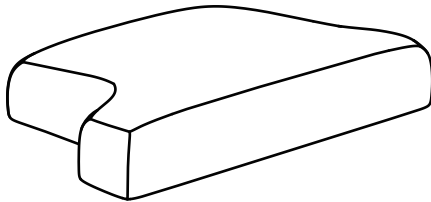
a-16PCS



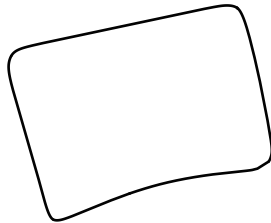
A-2PCS



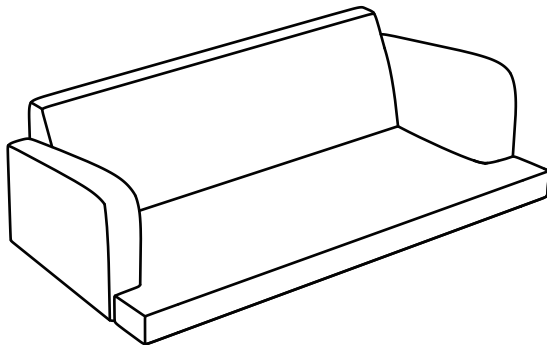
B-2PCS



C-2PCS



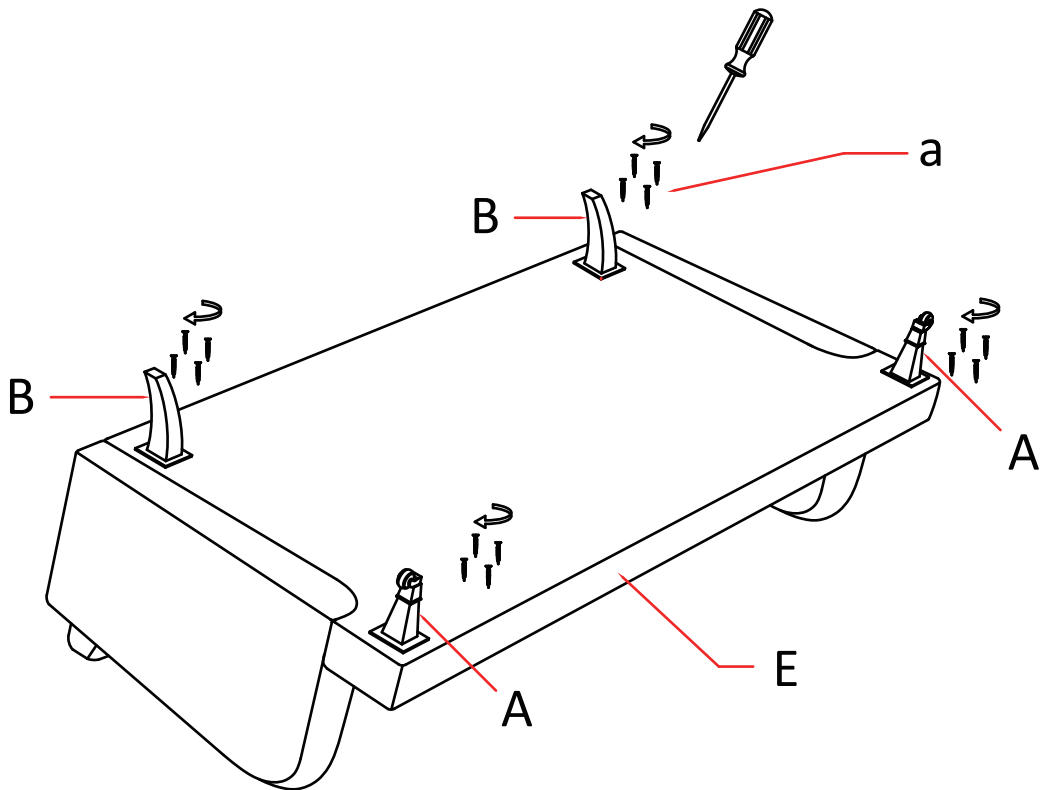
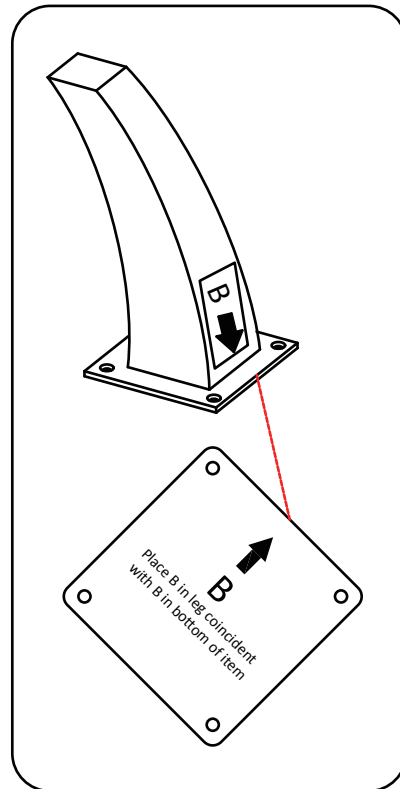
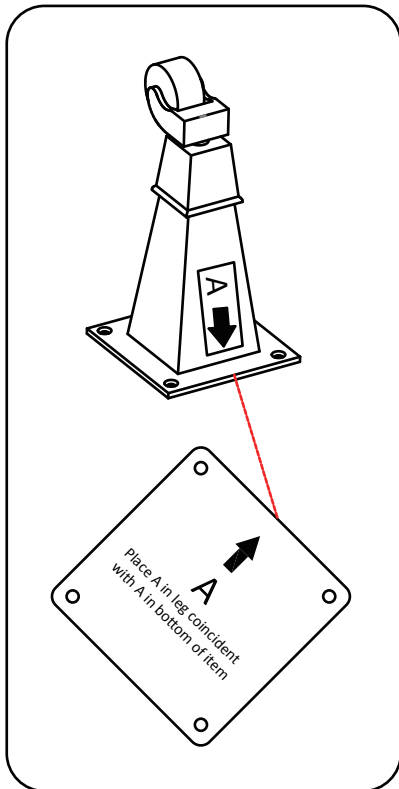
D-2PCS



E-1PC

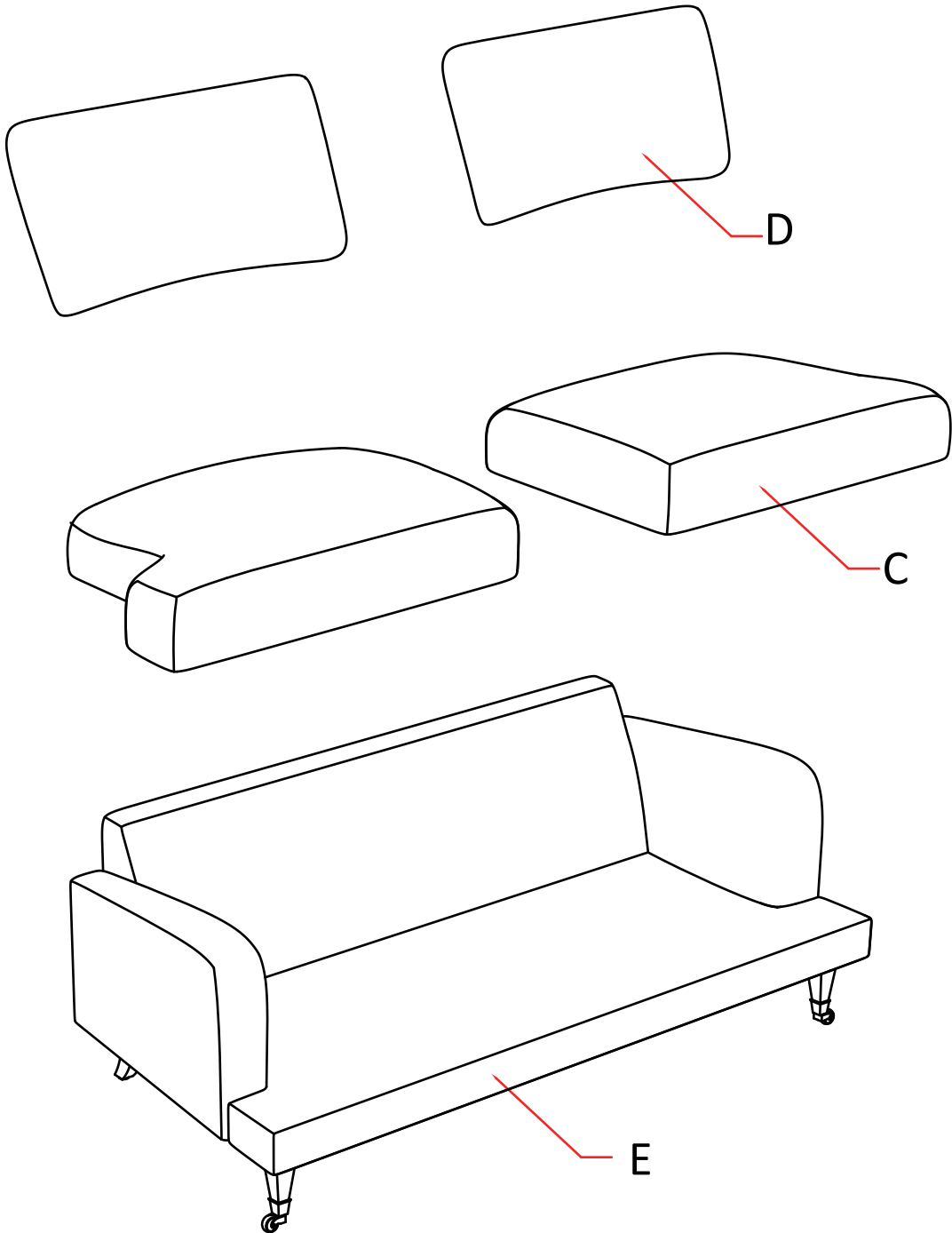
COMPONENT LIST

Step 1



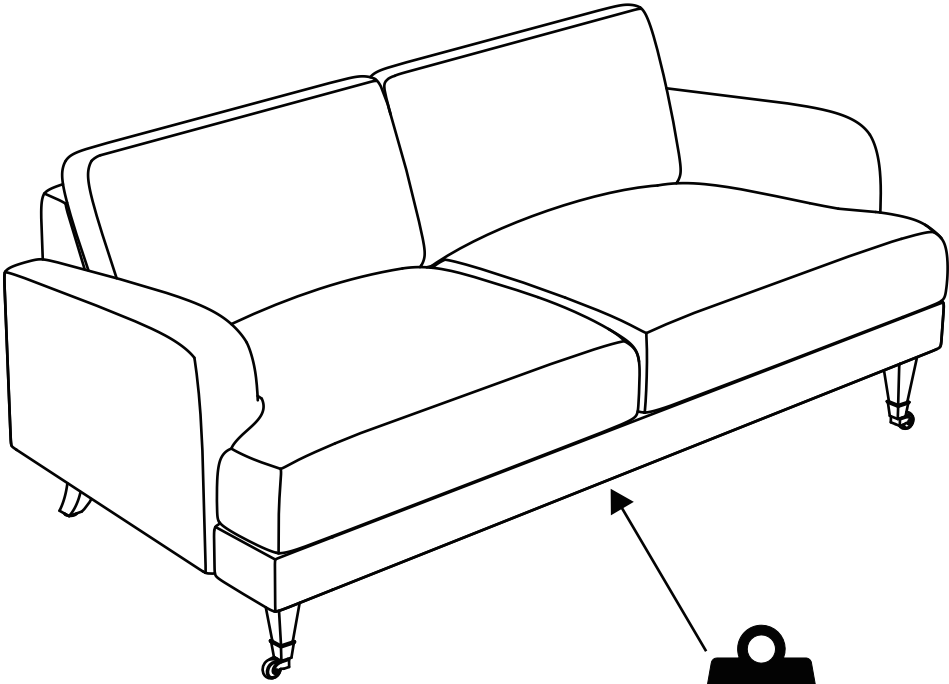
COMPONENT LIST

Step 2



COMPONENT LIST

Step 3



250KG/551LBS